



- Without Sunshield

### Features

- 1/4 Inch Sony Exview HAD CCD, 530TVL
- Auto Focus/Auto Iris
- **Max. 300x Zoom (30x Optical/10x Digital)**
- **TDN(ICR), DSS, OSD**
- Endless 360° Panning
- 0° to 90° Tilting
- Panning/Tilting speed : max. 360°/sec
- Auto parking, Auto-Flip
- Various protocol compatible
- **Wall mounting bracket included** (Option: Pendant mount bracket)
- **Sunshield included**
- IP66, Aluminum alloy housing



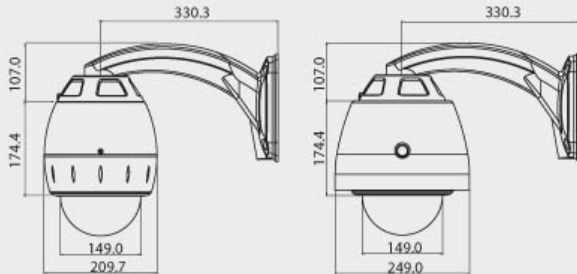
- Pendant Mount



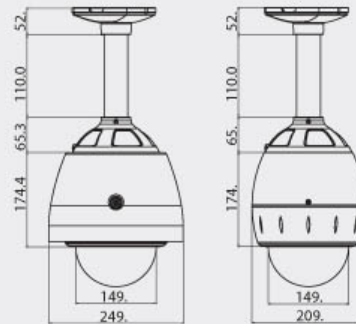
- Pendant mount & Sun-Shield

### Dimensions

Wall Mount



Pendant Mount



Unit (mm)

### Optional Accessories



SCB2000 : Corner mount bracket



SOB2000 : Pole mount bracket



SOJ-S24-24 : AC Power Junction Box

Model	CNB-SS2565NW	CNB-SS2565PW
Signal System	NTSC	PAL
Scanning System	2:1 Interlace	
Scanning Freq. (H)	15.734 kHz	15.625kHz
Scanning Freq. (V)	59.94Hz	50Hz
Sync. System	Internal / Line-Lock	
Image Sensor	SONY 1/4" Super HAD Interline transfer CCD	
Effective Pixel No. (V)	768(H) x 494(V) 380K	752(H) x 582(V) 440K
H. Resolution	480 TV Lines	
Min. Illumination	1.0Lux (Color), 0.5Lux (BW), 0.001Lux (DSS 128FLD) 30 IRE	
Day & Night Type	Electronic sensitivity-up (DSS : OFF, 2FLD ~ 128 FLD)	
Video Output	1.0Vp-p (75Ω, composite)	
Video S/N Ratio	More than 48dB (AGC Off)	
Communication	RS-485, Controllable up to 255 cameras simultaneously	
Camera ID / Protocol	256 IDs/Pelco-D, Pelco-P selectable	
<b>Lens</b>		
Zoom Ratio	300x Zoom (30x Optical Zoom, 10x Digital Zoom)	
Focal Length	3.3 (W) mm ~ 99.0 (T) mm	
Aperture Range	F1.6 (W) ~ F3.2 (T)	
<b>Pan and Tilt</b>		
Panning/Tilting Range	Pan: 360° endless rotation; Tilt: 90°	
Panning/Tilting Speed	Manual: 1° ~ 360°/sec; Preset: 360°/sec; Swing: 1°~ 180°/sec	
Panning/Tilting Accuracy	±0.25°	
Preset	128 position with Labels	
Swing / Pattern / Group	8 Swings/4 Patterns (about 5min/Pattern)/8 groups (max. 20)	
<b>Main Functions</b>		
OSD Menu	ON/OFF (English)	
Focus Control	Auto/Manual/Semi-Auto	
Color / BW Switching	Supplied	
Day/Night	Auto : D&N Auto Change / Day : Color+DSS (refer to the manual setting) / Night : BW+DSS 4FLD	
Electronic Shutter	1/60~1/10,000sec	1/50~1/10,000sec
Iris / Gain Control	Auto/Manual (0~255)	
Brightness Control	Adjustable (0~96)	
White Balance	Auto/Manual (Red, Blue Gain Adjustable)	
BLC / Flickerless	ON/OFF	
Freeze in Preset	ON/OFF	
Power-up Action	Resume the last action executed (Preset, Swing, Group)	
Auto Parking / Flip	ON/OFF; ON/OFF (rotates dome 180° at bottom of tilt travel)	
Alarm I/O	4 port coupler inputs, 2 relay outputs	
Image Setup	Global / Local (setting WB & AE)	
<b>Electrical &amp; General</b>		
Power	24VAC/2A, 14.4W	
IP Ratio	IP66	
Dimensions (approx.)	Dome: 149(Φ); Housing: 249(Φ) x 355.4(H) mm	
IP Ratio	IP66	
Housing	SS2565N(P)P : Pendant mount housing	
	SS2565N(P)W : Wall mount housing	