



- Without Sunshield

Features

- 128 preset positions
- Pan rotation range endless 360°
- Tilt rotation range 0° to 90°
- Pan/Tilt maximum rotating speed is 360°/sec
- 480 TVL high resolution
- Electronic sensitivity-up (DSS)
- True Day & Night (ICR)
- Auto focus, Auto parking functions
- Auto-Flip function
- Privacy masking function
- RS-485 protocol compatible
- Wall mount housing (Option: Pendant mount housing)
- With Sunshield
- IP66



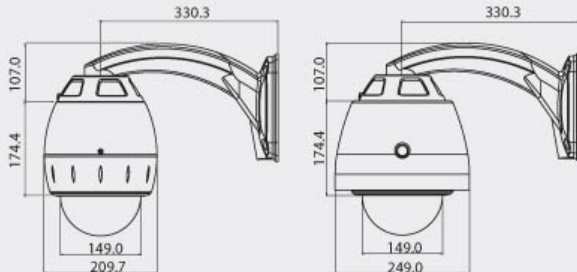
- Pendant Mount



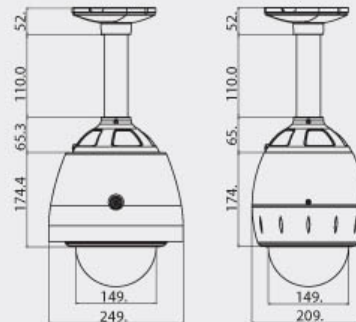
- Pendant mount & Sun-Shield

Dimensions

Wall Mount



Pendant Mount



Unit (mm)

Optional Accessories



SCB2000 : Corner mount bracket



SOB2000 : Pole mount bracket



SOJ-S24-24 : AC Power Junction Box

Model	CNB-SS2465NXW	CNB-SS2465PXW
Signal System	NTSC	PAL
Scanning System	2:1 Interlace	
Scanning Freq. (H)	15.734 kHz	15.625kHz
Scanning Freq. (V)	59.94Hz	50Hz
Sync. System	Internal / Line-Lock	
Image Sensor	SONY 1/4" EXview HAD Interline transfer CCD	
Effective Pixel No. (V)	768(H) x 494(V) 380K	752(H) x 582(V) 440K
H.Resolution	480 TV Lines	
Min.Illumination	1.0Lux (Color), 0.07Lux (Color, DSS), 0.01Lux (BW, DSS) 50 IRE	
Day & Night Type	Electronic sensitivity-up (DSS), ICR (AGC type)	
Video Output	1.0Vp-p (75Ω, composite)	
Video S/N Ratio	More than 50dB (AGC Off)	
Communication	RS-485, Controllable up to 255 cameras simultaneously	
Camera ID / Protocol	256 IDs/Pelco-D, Pelco-P selectable	
Lens		
Zoom Ratio	312x Zoom (26x Optical Zoom, 12x Digital Zoom)	
Focal Length	3.5 (W)mm ~ 91 (T)mm	
Apture Range	F1.6 (W) ~ F3.8 (T)	
Pan and Tilt		
Panning/Tilting Range	Pan: 360° endless rotation; Tilt: 90°	
Panning/Tilting Speed	Manual: 1° ~ 360°/sec; Preset: 360°/sec; Swing: 1°~ 180°/sec	
Panning/Tilting Accuracy	±0.25°	
Preset	128 position with Labels	
Swing / Pattern / Group	8 Swings/4 Patterns(about 5min/Pattern)/8 groups(max. 20)	
Main Functions		
OSD Menu	ON/OFF (English)	
Focus Control	Auto/Manual/Semi-Auto	
Color / BW Switching	Supplied	
Day/Night	Auto/Day/Night(ICR)	
Electronic Shutter	1/4~1/10,000sec	1/50~1/10,000sec
Iris / Gain Control	Auto/Manua(F1.6~F3.8); Auto/Manual(-3dB~28dB)	
Brightness Control	Adjustable (0~31)	
White Balance	Auto/Manual(Red, Blue Gain Adjustable)	
BLC / Flickerless	ON/OFF	
Freeze in Preset	ON/OFF	
Power-up Action	Resume the last action ececuted (Preset, Swing, Group)	
Auto Parking / Flip	ON/OFF; ON/OFF(rotates dome 180° at bottom of tilt travel)	
Privacy Zone	ON/OFF(8 zone settings)	
Alam I/O	4 port coupler inputs, 2 relay outputs	
Image Setup	Global / Local (setting WB & AE)	
Electrical & General		
Power	AC 24V / 2A, 14.4W	
Dimensions (approx.)	Dome: 150(Φ); Housing: 170(Φ) x 300(H) mm	
IP Ratio	IP66	
Housing	SS2465N(P)XP : Pendant mount housing	
	SS2465N(P)XW : Wall mount housing	