



## Features

- Progressive 1/4" CCD Sensor
- Max. 640(H) x 480(V) VGA
- Built-in DC Iris Vari-focal Lens (f=3.8~9.5mm)
- Built-in IR LEDs (18EA) & Sensor (1EA)
- 3-Axis Movement for Free Lens Rotation
- Dual Stream MJPEG / H.264(or MPEG4) Resolution VGA up to 30fps
- Support Two-way Audio (ADPCM)
- Support Local Storage
- Ethernet 10/100 Base-T
- Support PoE

## XNET Applications



### Plug & Easy Play over IP

XNET supports plug and play with wizard installer. Auto system configuration and easily user setup by XNET applications.

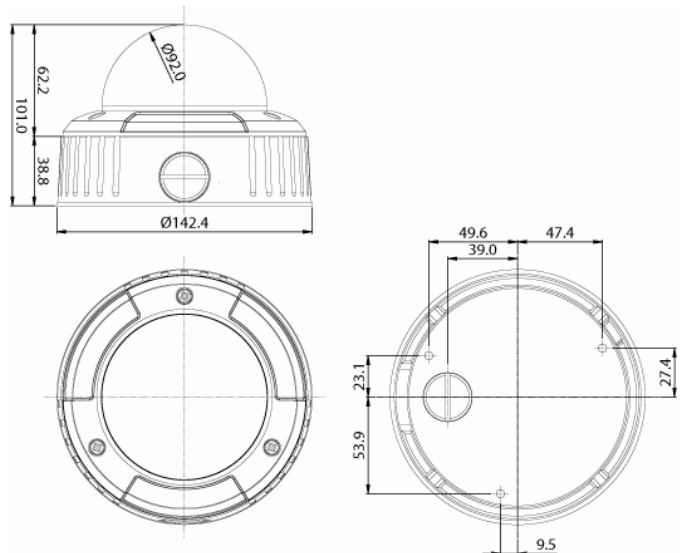
- Simple install for network and systems setup
- Simultaneously systems setup
- Support UPnP, Bonjour for easy installation



## Inside



## Dimensions



### XNET CMS / XNET NVR

CNB XNET CMS/ NVR is the world first software that combines alarm monitoring and video surveillance seamlessly

- Multi-level user group / Interactive E-Map
- User-friendly windows-shell design with docking station utility panels
- Interactive Control, Triple monitors
- Easy to Use, All-in-One screen
- Compatible with various NVS, IP Camera, NVR in a System



### XNET APP (XNET Alliance Partner Program)

CNB XNET Products support Open-API for partners. Supplying a dynamic SDK based on API for various IP security environment. Join hands with XNET Alliance Partner Program, you can make a stable and strong IP security environment with improving your CMS and NVR.



#### [SDK Package Items]

- Sample Program and System Library for debug
- Release Mode Sample Method
- Documentation for SDK
- Sample Header File
- Library(debug/release)
- Sample Source Code (by Visual Studio 2005)

# XNET Main Feature



## Progressive Image Processing Technology

XNET can support high quality progressive scan for clear monitoring image. Remove flicker-free noiseless.

XNET - High Quality Progressive image



Normal IP Camera - Interlaced image

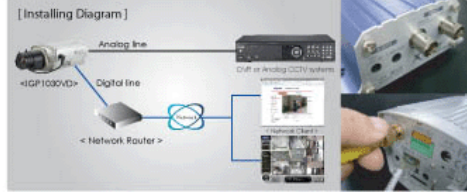


[MPEG4 Comparison image]



## Hybrid IP Technology

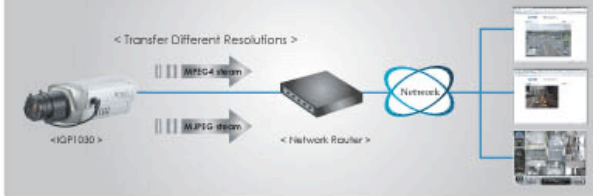
XNET can support Hybrid technology. At a standard analog CCTV BNC composite connection for CCTV system. At the same time, monitoring image over IP.



## Dynamic Dual Stream

XNET can support dual streaming for multi-client. H.264(or MPEG4) and MJPEG images can be output at the same time. User can see live monitoring with H.264(or MPEG4) and MJPEG based high quality stream image saving to storage.

[ Stream information Diagram ]



## Multiple Event Trigger

XNET also includes activity motion / sensor detection. Easily defined event setting and on-screen display. Activity detection events, XNET supports trigger event output over IP and can save the event image.



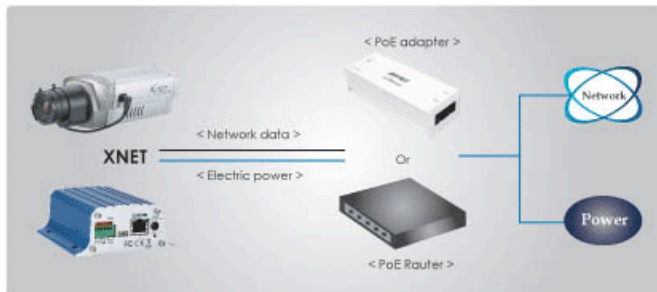
## Storage Over IP

XNET built-in local storage for pre/post alarm, event image and local saving function. Event (motion and alarm) recording on the local storage is also possible by internal memory. SD memory card can be used as a second storage option.



## Built-in PoE(Power over Ethernet)

Saving the installation cost, just do connect the cable to a PoE network hub or PoE network adaptor for easy installation with XNET IP product. CNB all IP products are standard IEEE 802.3af supported. (Optional)



## Specifications

IVP4000VR		Specifications
Camera	Signal System	Progressive image processing
	Scanning System	4:3 Progressive
	Image Sensor	Progressive CCD Sensor
	Sync. System	Internal
	Effective Pixels Number	659 (H) x 494 (V) 330K
	Video Output Level	Select NTSC/PAL 1.0Vp-p (BNC 75Ω, composite) * VGA/QVGA Mode Only
	Lens	Built-in DC Iris Vari-focal Lens (f=3.8~9.5mm, F1.2)
	Min. Illumination	1 Lux (DSS On), 0 Lux (IR LED On)
	IR LED and Sensor	850nm / 30° IR LEDs 18EA, Sensor 1EA
	Back Light Compensation	On/Off
	Flickerless	On/Off
	White Balance	Auto/Manual
	Exposure	Auto/Manual
	Functions	B/W
Electronic Shutter Speed	NTSC : 1/10 ~ 1/600 (8 Step) / PAL : 1/9 ~ 1/500 (8 Step)	
System	Main Processors	32bit Embedded CPU with Linux
	System Memory	NAND Flash Memory : 64MByte, 128MB DDR Memory
Video / Audio	Compression	MJPEG / MPEG4 / H.264
	Frame rate	Dual Mode : MJPEG (15fps) MPEG4 / H.264 (30fps)
	Resolution	VGA (640 x 480), QVGA (320 x 240)
	Video streaming	MJPEG / MPEG4(or H.264) Dual mode Constant and variable bit rate in MPEG4 (128kbps ~ 3M bps), Controllable frame rate and bandwidth
	Image settings	Compression level setting, Configurable Brightness, Sharpness, White Balance
	Audio	Two-way (full duplex / ADPCM G.726)
Network	Protocol	IPv4, HTTP, TCP, RTSP, RTP, RTCP, UDP, SMTP, FTP, ICMP, DHCP, UPnP, Bonjour, ARP, DNS, DynDNS
	Supported DDNS	1. CNB DDNS 2. DynDNS.org 3. Reference code with SDK
	Video access from Web browser	Camera live viewer for up to 10 clients
	Support PoE	Standard IEEE 802.3af supported
Security	Access level setup	Multiple user access levels with password protection
	Network Security	IP Filtering
Alarm and Event Management	Image detection	Motion detection (Select 3 Regions - each area)
	Sensor detection	Sensor In, Scheduling, Alarm out
	After Event process	JPEG Image upload over FTP server / SMTP (E-mail server)
	Local storage	JPEG Image write to Internal - Internal memory : Max 32MByte
	Pre / Post alarm	Detail time-set : Max Pre alarm 5 sec / Post alarm 8 sec Local storage (Internal memory : JPEG image)
Applications	Browser	Internet Explorer 6.0 or Higher
	Monitoring Application	Web Viewer (Window Web Browser Base) Live view for up to 10 user clients Video Snapshot & recording to file (JPEG file) XNVR Viewer and Utility (IP-Installer, etc)
Maintenance	System Upgrade	Firmware upgrade over HTTP
	PTZ control (RS-485)	PTZ Protocol Service (User define update)
Mechanical	Operating Temperature	-10°C ~ 50°C (Day Mode), -10°C ~ 40°C (Night Mode - IR LED On)
	Pan/Tilt/Horizontal	3-Axis Movement for Free Lens Rotation
	Power	DC 12V Max. 7 W